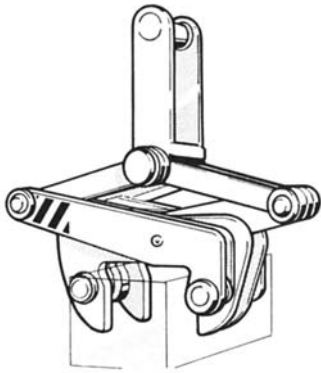


## Coil Lifting

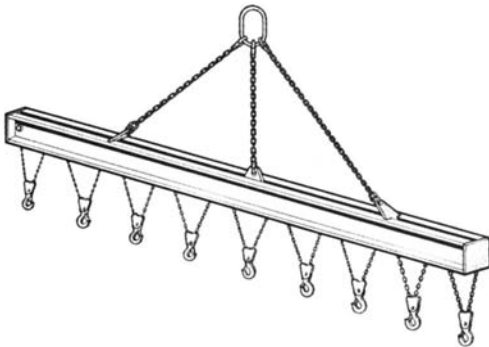
- Steel, Aluminium, SWR and electrical cable drums
- Fully adjustable
- Quick engagement/disengagement
- One operator
- 2t - 15t capacity - 300-1500mm coil width



## Mechanical clamps and grabs

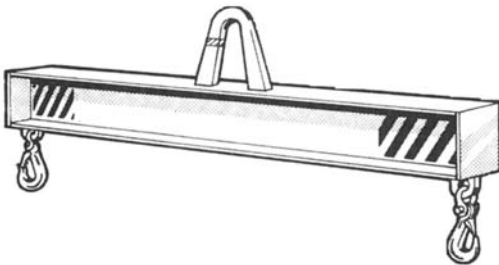
Suitable for:

- Metal sections
- Carbon blocks
- Baled materials
- Wood sections
- Mining support packs
- 2t - 15t capacity - 300-1500mm coil width



## Load Equalising beams

- Concrete panels and beams
- Shutter assemblies
- Any linear, multipoint attachment
- Any length - any capacity
- Custom designs on request



## Lifting and spreader beams and frames

- Cargo containers and flat racks
- Machines
- Bulk loads eg. long steel bundles
- Fixed and adjustable connections - upper and lower
- Any length - any capacity
- Custom designs on request

