

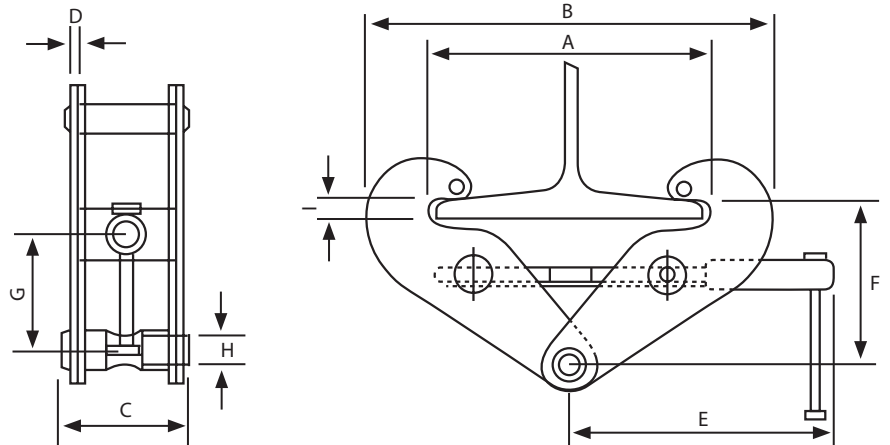
**Adjustable Beam Clamps Generally in Accordance with EN 13155**

**Features:**

- Easy and simple mounting
- Built in suspension bar provides low headroom
- Special jaw design applies load away from the flange edge thus reducing flange stress
- Safe and secure grip on the beam
- Heavy duty construction
- Available 1 to 10 tonnes



Model	Capacity (Ton)	Flange Width	Dimension (mm)												Net Weight (kg)	Design Standard
			A	B		C	D	E	F		G	H	I			
				Min.	Max.				Min.	Max.			Min.	Max.		
BCA10	1	75 -230	278	183	380	64	4	217	90	150	26	19	14	21	4	EN13155
BCA20	2	75 -230	278	183	380	76	6	217	90	150	26	21	14	21	5	EN13155
BCA30	3	80 -320	356	220	500	100	8	277	145	220	50	23	30	34	9.5	EN13155
BCA50	5	90 -320	356	220	500	112	10	277	145	220	47	29	30	34	11.5	EN13155
BCA100	10	90-320	356	250	500	120	12	385	160	230	52	39	34	35	18	EN13155



**Also available: Adjustable Rail Lifting Clamps:**

**Features:**

- Easy and simple mounting
- Safe and secure grip
- Heavy duty construction
- Available only in 3 tonne capacity
- Suitable for all rail sizes

Product Code	Model	WLL (t)	
B02505056	R3	3	Dimensions available on request