

Tusker® Beam Crawls (Trolleys)

Features:

- Adjustable to any beam width within specified range by simple adjustment of No. of spacers
- Wheels are made to fit any shape of "I" beam (taper or parallel)
- High grade sealed ball bearings
- Extra safety feature-units come with Anti Drop plates
- Accessories available on order:
 - 300mm extension for geared trolley
 - Anti tip rollers
 - 15 tonne / 20 tonne connector / suspension plate
- Quick screw adjustable available

Tusker Single Shaft Trolleys

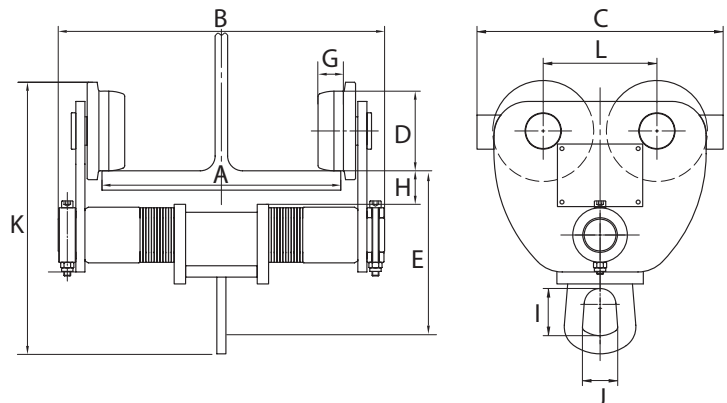
Standard Trolley

Dimensions:

Beam Width Range 1	WLL	A	B	C	D	E	G	H	I	J	K	L
PT-050 Beam 50-150mm	500kg	50-150	220	194	Ø60	115	22	32	33	28	198	89
PT-100 Beam 75-150mm	1000kg	75-150	227	217	Ø70	124	23	29	35	31	218	100
PT-200 Beam 100-150mm	2000kg	100-175	260	247	Ø80	171	27	31	55	56	284	116
PT-300 Beam 100-200mm	3000kg	100-200	300	270	Ø90	215	32	35	79	60	353	130
PT-500 Beam 125-200mm	5000kg	125-200	304	310	Ø100	218	32	33	84	60	370	140
PT-1000 Beam 150-200mm	10000kg	150-200	350	368	Ø140	275	42	35	105	76	467	197

Beam Width Range 2	WLL	A	B	C	D	E	G	H	I	J	K	L
PT-100 Beam 150-210mm	1000kg	150-210	287	217	Ø70	145	23	29.5	41.5	31	239	100
PT-200 Beam 175-225mm	2000kg	175-225	309.5	247	Ø80	185	27	30.5	68.5	56	297.5	116
PT-300 Beam 200-250mm	3000kg	200-250	350	270	Ø90	230	32	30	93	60	367	130
PT-500 Beam 200-250mm	5000kg	200-250	354	310	Ø100	253.5	32	26	90	60	405	140
PT-1000 Beam 200-305mm	10000kg	200-305	455	398	Ø140	275	42	35	105	76	467	197

Standard Trolley (PT)



Geared Trolley

Dimensions:

Beam Width Range 1	WLL	A	B	C	D	E	F	G	H	I	J	K	L	M
GT-050 Beam 50-150mm	500kg	50-150	266	194	Ø60	115	81	22	32	33	28	198	89	106
GT-100 Beam 75-150mm	1000kg	75-150	273	217	Ø70	124	84	23	29	35	31	221	100	120
GT-200 Beam 100-150mm	2000kg	100-175	309	247	Ø80	171	91	27	31	55	56	301	116	170
GT-300 Beam 100-200mm	3000kg	100-200	346	270	Ø90	215	96	32	35	79	60	355	130	170
GT-500 Beam 125-200mm	5000kg	125-200	350	310	Ø100	218	98	32	33	84	60	370	140	170
PT-1000 Beam 150-200mm	10000kg	150-200	389	398	Ø140	275	114	42	35	105	76	467	197	170

Beam Width Range 2	WLL	A	B	C	D	E	F	G	H	I	J	K	L	M
GT-100 Beam 150-210mm	1000kg	150-210	332.5	216.5	Ø70	145.5	84	23	29.5	41.5	31	242	100	120
GT-200 Beam 175-225mm	2000kg	175-225	358	247	Ø80	185	91	27	30.5	68.5	56	315	116	170
GT-300 Beam 200-250mm	3000kg	200-250	361.5	270	Ø90	230	95.5	32	30	93	60	370	130	170
G-500 Beam 200-250mm	5000kg	200-250	366	310	Ø100	253.5	98	32	33	90	60	405	140	170
GT-1000 Beam 200-305mm	10000kg	200-305	494	398	Ø140	275	114	42	35	105	76	467	197	170

Single Shaft Geared Trolley (GT)

