

Elephant Electric Chain Hoists (DA)

DA - 3 Phase, Single Speed

Features:

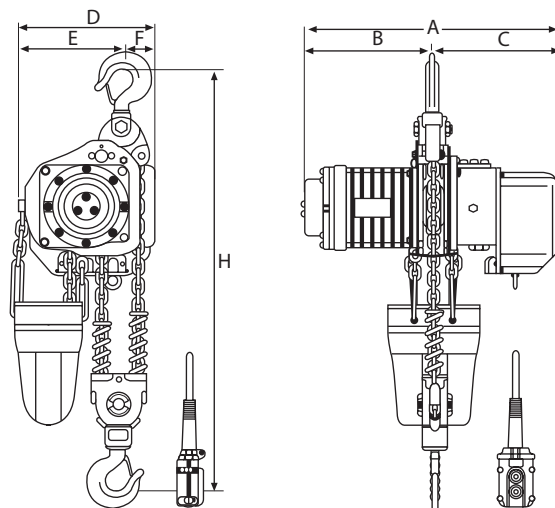
- Reliable and durable limit switch
- Highly durable case hardened load chain
- Unique chain guide
- Tough durable motor
- High precision low power consumption electro-magnetic brake
- Operated by low voltage (24V) control
- Rated best electric chain hoist worldwide
- Designed to JIS 8815/1987 design standard
- Manufactured to ISO 9001 QAS
- Available 380 / 550V
- Ideal for extra heavy duty applications



Product Code	Model Nr	Working Load Limits (Tonne)	Manufacturer's Test Load (Tonne)	No. of Falls Reeving	Min Distance Between Hooks (mm)	Lifting Speed (m/min) (FB) High Speed/ Low speed	Lifting Motor Output (kW) (FB) High Speed Low Speed	Net Mass (kg)
A00100001	DA 2.5	2.5	3.13	1	775	5.5	3.4	128
A00100002	DA 3	3	3.75	2	990	4.35	3.4	145
A00100003	DA 5	5	6.25	2	1060	2.75	3.4	163
A00100004	DA 10	10	12.5	4	1390	2.7	3.4 X2	396

Dimensions:

Model Nr	WLL (tonne)	Manufacturer's Test Load (Tonne)	Standard Lift (m)	A	B	C	D	E	F	Net Mass (kg)
DA-2.5	2.5	3.13	4	655	342	313	372	198	174	775
DA-3	3	3.75	3	655	342	313	372	258	114	990
DB-3	3	3.75	3	717	372	345	372	258	114	990
DA-5	5	6.25	3	655	342	313	375	273	102	1060
DA-10	10	12.5	3	684	342	342	960	373	373	1390



Elephant Electric Chain Hoists (FA)

FA - 3 Phase, Single Speed



Features:

- Tough heavy duty motor 3-phase : Class E insulation
- Reliable electro-magnetic DC brake
- Highly durable load chain (case hardened)
- Totally enclosed steel plate construction
- Wiring - simple plug-in, plug out connection of wires
- Overload alarm hook
(if overloaded the hook elongates without fracturing)
- IP55 rated
- Operated by low voltage (24V) control
- Designed to JIS 8815/1987 design standard
- Manufactured to ISO 9001 QAS
- Available 380/550V
- Ideal for heavy duty application
- Rated best electric chain hoists worldwide

Product Code	Model Nr	Working Load Limits (Tonne)	Manufacturer's Test Load (Tonne)	No. of Falls Reeving	Min Distance Between Hooks (mm)	Lifting Speed (m/min) (FB) High Speed/ Low Speed	Lifting Motor Output (kW) (FB) High Speed Low Speed	Net Mass (kg)
A0010005	FA-0.5	0.5	0.63	1	542	7.0	0.9	43
A0010006	FA-1	1	1.25	1	600	6.3	1.6	56
A0010007	FA-2	2	2.5	2	776	3.1	1.6	64

Dimensions:

WLL (tonne)	A	B	C	D	K	L	M	N	O
FA 0.5t	161	124	224	311	36	26	86	24	19
FA 1t	170	128	239	348.5	43	33	107	31	23
FA 2t	133	165	239	372	53	42	144	44	30

