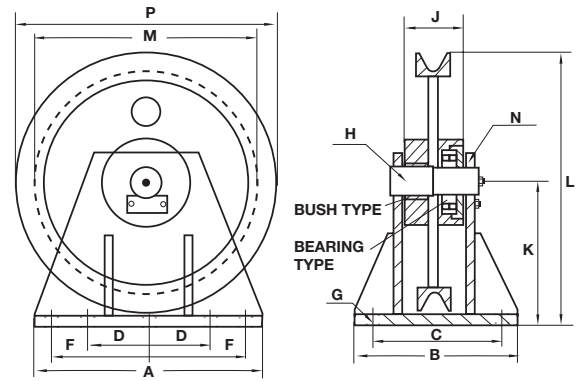


# Tusker® Snatch and Vertical Lead Block

Shackles, Rigging Equipment  
B Fall Protection

## Vertical Lead Block

- Available painted or galvanised
- Fitted with steel sheaves
- Self-Lubricated Bronze Bushes
- Available in bigger sizes
- Also available to customers' specification



### Note: Specify Bushes and or Bearings

Rope Size	A	B	C Pitch	D Pitch	F Pitch	No. Mtg. Holes	H	J	K	L	M	N	P	G	Mass Kg
Ø 6	100	120	96	-	38	4	Ø 20	51	72	134	Ø 105	4	Ø 123	Ø 12	5
Ø 8	130	145	115	-	50	4	Ø 30	61	94	176	Ø 140	6	Ø 162	Ø 14	9
Ø 10	165	180	150	-	66.5	4	Ø 40	77	117	220	Ø 175	8	Ø 205	Ø 18	14
Ø 13	220	220	180	-	90	4	Ø 45	86	152	286	Ø 228	10	Ø 267	Ø 22	27
Ø 16	290	264	212	-	113	4	Ø 50	100	188	352	Ø 280	12	Ø 328	Ø 26	59
Ø 20	350	290	222	-	148	6	Ø 55	110	235	440	Ø 350	16	Ø 410	Ø 26	88
Ø 26	450	300	244	110	193	8	Ø 60	124	294	550	Ø 438	16	Ø 513	Ø 26	114
Ø 28	490	350	276	126	212	8	Ø 65	143	329	616	Ø 490	20	Ø 574	Ø 32	156
Ø 32	570	410	330	155	245	10	Ø 75	163	365	693	Ø 560	20	Ø 656	Ø 32	245
Ø 36	630	450	350	165	265	10	Ø 85	184	406	775	Ø 630	20	Ø 738	Ø 32	330
Ø 42	700	502	382	200	300	12	Ø 100	200	476	906	Ø 735	25	Ø 861	Ø 32	443



## Snatch Blocks

- Available in capacities of up to 40 000 kg
- Grease nipples for positive greasing
- Test certificates supplied
- All steel construction
- Suitable for steel wire rope
- Hinged side to fit rope
- Also available with swivel oval eye
- Phosphor bronze bushed sheaves

WLL	ROPE	A	W.L.L	C	R
0.5	10	75	98	280	6
1	12	100	128	300	7
2	20	110	148	400	11
3	20	155	198	480	11
5	25	190	245	610	13
7.5	30	230	295	730	16
10	35	275	345	800	19

