

# Tusker® PM Wire Rope Hoists (TEBH/TECH)

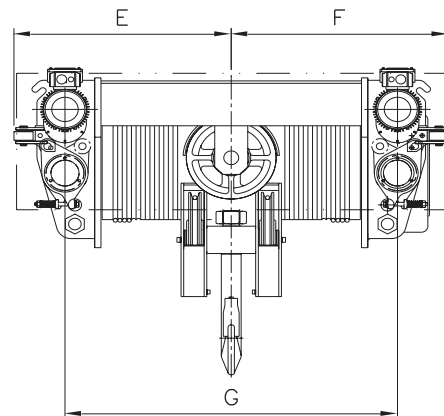
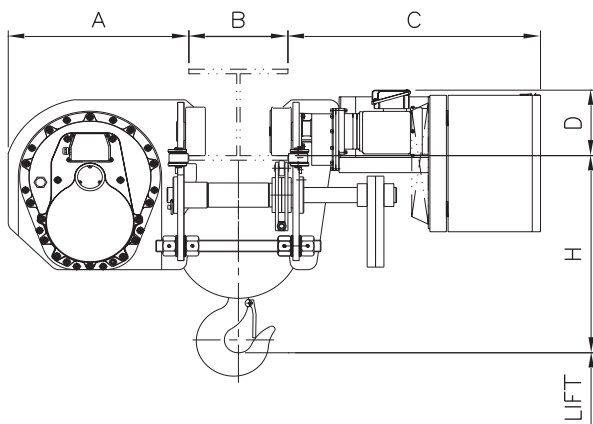


## PM-Ultra Low Headroom Wire Rope Hoist

### Features:

- Ultra low headroom design makes this underslung hoist one of the most compact in the industry
- The VVVF Lift Drive means there is approximately 30% less power consumption when compared to traditional hoists
- Standard inverter drive on the lift motor - this soft start/stop function can help reduce load swaying
- Overload protection
- Extended lifespan: when the turning motor nears the stop position, this triggers the brake system, and reduces the impact on the gears. This in addition to other built in protection functions makes this unit ultra reliable

Model	Model (Ton)	Capacity (m)	Hoisting		Traversing		Wire rope		Dimension (mm)								N.W. (Kg)	
			Speed (m/min)	Motor kw x pole	Speed(m/min)		Motor kw x pole x set	Ømm	R/F	H	A	B	C	D	E	F		G
					60HZ	50HZ												
TEBH-320PM	3.2	9	0.9~9	6.5kw x 8P	20/5	16.5/4	0.18/0.04 x 2/8 x 2	8	2/4	500	471	125~300	676	210	600	600	780	705
		12													600	600	880	735
TEBH-500PM	5	9	0.8~8	9kw x 8P	20/5	16.5/4	0.37/0.09 x 2/8 x 2	10	2/4	600	471	125~400	676	210	650	650	880	740
		12													650	650	1000	775
TEBH-630PM	6.3	9	0.7~7	9kw x 8P	20/5	16.5/4	0.6/0.15 x 2/8 x 2	10	2/4	600	471	125~400	676	210	650	650	880	750
		12													650	650	1000	790
TECH-800PM	8	9	0.6~6	11kw x 8P	18/4.5	15/3.7	0.6/0.15 x 2/8 x 2	12.5	2/4	650	547	150~450	765	240	650	650	965	1130
		12													697	697	1085	1185
TECH-1000PM	10	9	0.6~6	13kw x 8P	18/4.5	15/3.7	0.6/0.15 x 2/8 x 2	12.5	2/4	650	547	150~450	765	240	650	650	965	1200
		12													697	697	1085	1275
TECH-1250PM	12.5	9	0.5~5	13kw x 8P	18/4.5	15/3.7	0.6/0.15 x 2/8 x 2	14	2/4	750	547	150~450	765	240	697	697	1085	1320
		12													767	767	1155	1410



# Tusker® Wire Rope Hoists (TB Series)

Cranes & Wire Rope Hoists

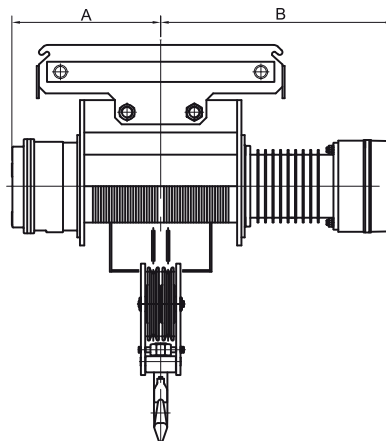
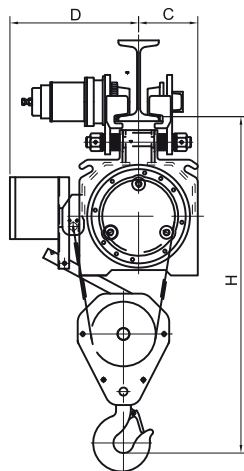


## Under-sling Wire Rope Hoist

### Specifications & Dimensions:

1. R/F=Reeving/falling numbers
2. Dual speed model under green shadow
3. Traversing pinion 5 ton M3.5x12t, 7.5 ton M3.5x20t, 10 ton M3.5x23t
4. Traversing motor standard supply, 50Hz or 60Hz all used 4 pole, or please specify
5. Traversing motor: 5 ton used planetary reducing gear motor, 7-10 ton used reducing gear motor

Model	Cap. (Ton)	Lift (m)	Hoisting				Traversing				Approximate Dimension (mm)								Adjust for standard I-Beam (mm)	App. Weight (Kg)						
			Speed (m/min)		Motor Kw Pole	ED %		Speed (m/min)		Motor Kw pole	ED %		Wire rope		B		C				D					
			60Hz	50Hz		60Hz	50Hz	Single	Dual		Single	Dual	∅ mm	R/F	H	A	Single	Dual			Single	Dual	Single	Dual		
					Single	Dual			Single	Dual																
TBH-500	5	6	7.3	6.1	7.5 4P	40	40/20	18	15	0.6 4P	40	40/20	∅ 10	2/4	1250	553	812	875	220	255	488	513	125-175	590		
TBHD-500		9	7.3/2.4	6.1/2.0				7.5/2.5 4/12P	18/6							15/5	0.6/0.2 4/12P	603						862	925	630
		12							743							1002	1065	710								
TBH-750	7.5	6	7.3	6.1	11 4P	40	40/20	20	17	1.1 4P	40	40/20	∅ 14	2/4	2000	608	867	929	240	240	612	612	150-200	990		
TBHD-750		9	7.3/2.4	6.1/2.0				11/3.7 4/12P	20/6							17/6	1.1/0.37 4/12P	743						1002	1064	1020
		12							833							1092	1075	1060								
TBL-1000	10	6	5.0	4.2	11 4P	40	40/20	18	15	1.1 4P	40	40/20	∅ 16	1/4	2000	605	849	911	340	340	640	725	150-200	970		
		9								1.1/0.37 4/12P						673	917	979			1000					
TBLD-1000		12	5.0/1.7	4.2/1.4	11/3.7 4/12P			18/6	15/5	0.75X2 4P						773	1017	1079			1040					



# Tusker® Wire Rope Hoists (SK.SG Series)

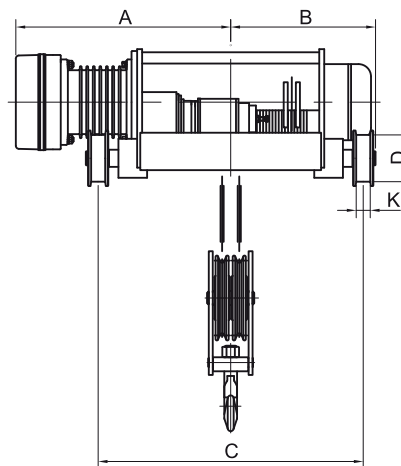
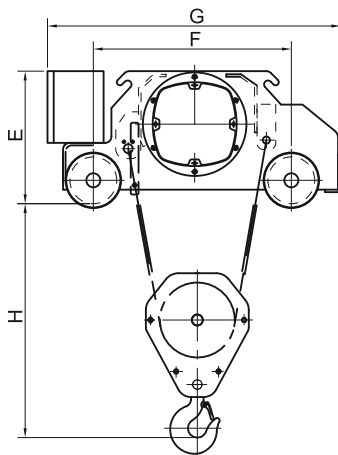


## Top Riding

### Specifications & Dimensions:

1. R/F=Reeving/falling numbers
2. Dual speed model under green shadow
3. Traversing pinion 2 ton M3.5x15t. 3-5 ton M3.5x23t
4. Traversing motor standard supply, 50Hz or 60Hz all used 4 pole, or please specify.
5. Traversing motor: 2 ton used planetary reducing gear motor. 3-5 ton used reducing gear motor.

Model	Cap. (Ton)	Lift (m)	Hoisting				Traversing						Approximate Dimension (mm)										App. Weight (Kg)				
			Speed (m/min)		Motor Kw Pole	ED%		Speed (m/min)		Motor Kw Pole	ED%		Wire Rope		H	A		B	C	D	E			F	G	K	
			60Hz	50Hz		Single	Dual	60Hz	50Hz		Single	Dual	o mm	R/F		Single	Dual				Single	Dual					
SKM-200	2	6	8	6.7	3 4P	40	40/20	20	17	0.25 4P	40	40/20	0 10	1/2	600	639	679	401	600	120	390	460	615	923	40	420	
SKMD-200		9	8/2.7	6.7/2.2	3/1 4/12P			20/6	17/6	0.25/0.8 4/12P						639	679	401	600								440
		12	8/2.7	6.7/2.2	3/1 4/12P			20/6	17/6	0.25/0.8 4/12P						692	732	462	850								450
SKH-200	2	6	8	6.7	3 4P	40	40/20	20	17	0.25 4P	40	40/20	0 8	2/4	600	661	701	462	850	120	390	460	615	923	40	470	
SKHD-200		9	8/2.7	6.7/2.2	3/1 4/12P			20/6	17/6	0.25/0.8 4/12P						748	788	509	850								490
		12	8/2.7	6.7/2.2	3/1 4/12P			20/6	17/6	0.25/0.8 4/12P						834	874	612	1150								490
SKL-300	3	6	4.4	3.7	3 4P	40	40/20	21	18	0.4 4P	40	40/20	0 10	1/4	650	689	729	465	850	150	425	495	725	1030	45	500	
SKLD-300		9	4.4/1.5	3.7/1.2	3/1 4/12P			21/7	18/6	0.4/0.13 4/12P						761	801	523	850								530
		12	4.4/1.5	3.7/1.2	3/1 4/12P			21/7	18/6	0.4/0.13 4/12P						878	918	640	1150								560
SGM-300	3	6	8	6.7	5 4P	40	40/20	21	18	0.4 4P	40	40/20	0 12	1/2	750	677	760	477	850	150	495	495	660	968	45	500	
SGMD-300		9	8/2.7	6.7/2.2	5/1.7 4/12P			21/7	18/6	0.4/0.13 4/12P						677	760	477	850								510
		12	8/2.7	6.7/2.2	5/1.7 4/12P			21/7	18/6	0.4/0.13 4/12P						779	862	579	850								510
SGH-300	3	6	8	6.7	5 4P	40	40/20	21	18	0.4 4P	40	40/20	0 10	2/4	750	729	812	529	850	150	495	495	635	940	45	520	
SGHD-300		9	8/2.7	6.7/2.2	5/1.7 4/12P			21/7	18/6	0.4/0.13 4/12P						802	885	602	850								610
		12	8/2.7	6.7/2.2	5/1.7 4/12P			21/7	18/6	0.4/0.13 4/12P						919	1002	719	1150								610
SGL-500	5	6	4.4	3.7	5 4P	40	40/20	21	18	0.75 4P	40	40/20	0 10	1/4	900	720	812	529	850	150	495	545	725	1030	45	570	
SGLD-500		9	4.4/1.5	3.7/1.2	5/1.7 4/12P			21/7	18/6	0.75/0.25 4/12P						802	885	602	850								590
		12	4.4/1.5	3.7/1.2	5/1.7 4/12P			21/7	18/6	0.75/0.25 4/12P						919	1002	719	1150								630



# Tusker® Wire Rope Hoists (SB.SC.SE Series)

Cranes & Wire Rope Hoists

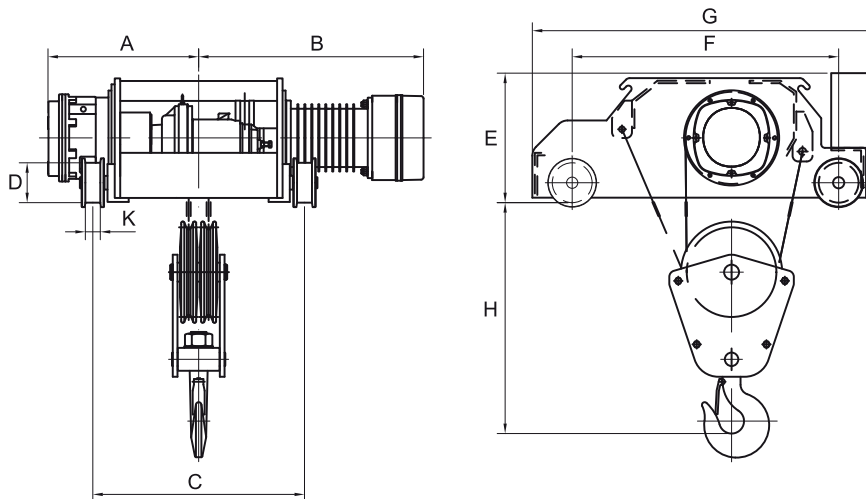


## Top Riding

### Specifications & Dimensions:

1. R/F=Reeving/falling numbers
2. Dual speed model under green shadow
3. Traversing pinion 5 ton M3.5x23t. 7.5 ton M3.5x20t, 10-20 ton M3.5x23T
4. Traversing motor standard supply, 50Hz or 60Hz all used 4 pole, or please specify
5. Traversing motor: used reducing gear motor

Model	Cap. (Ton)	Lift (m)	Hoisting				Traversing						Approximate Dimension (mm)										App. Weight (Kg)				
			Speed (m/min)		Motor Kw pole	ED%		Speed (m/min)		Motor Kw pole	ED%		Wire Rope		H	A	B		C	D	E			F	G	K	
			60Hz	50Hz		Single	Dual	60Hz	50Hz		Single	Dual	ø mm	R/F			Single	Dual			Single	Dual					
SB-500	5	6	7.3	6.1	7.5 4P	40	40/20	21	18	0.75 4P	40	40/20	0 10	2/4	750	553	812	875	850	150	545	545	690	988	45	680	
SBHD-500		9	7.3/	6.1/	7.5/2.5 4/12P			21/7	18/6	0.75/0.25 4/12P						603	862	925	850							690	720
		12	2.4	2.0												743	1002	1065	1150								
SBH-750	7.5	6	7.3	6.1	11 4P	40	40/20	20	17	1.1 4P	40	40/20	0 14	2/4	1200	608	867	929	850	160	550	550	790	1095	60	880	
SBHD-750		12	7.3/	6.1/	11/3.7 4/12P			20/6	17/6	1.1/0.37 4/12P						743	1002	1064	1150							1050	1250
		9	2.4	2.0												833	1092	1154	1300								
SBL-1000	10	6	5.0	4.2	11 4P	40	40/20	15	13	1.1 4P	40	40/20	0 16	1/4	1300	605	849	911	850	160	570	570	970	1280	60	1070	
SBLD-1000		9	5.0/	4.2/	11/3.7 4/12P			15/5	13/4	1.1/0.37 4/12P						673	971	979	1150							1060	1210
		12	1.7	1.4												773	1017	1079	1150								
SCAH-1000	10	6	5.1	4.3	11 4P	40	40/20	17	14	1.1 4P	40	40/20	0 16	2/4	1500	702	849	911	850	180	580	580	920	1250	60	1290	
SCAHD-1000		9	5.1/	4.3/	11/3.7 4/12P			17/6	14/5	1.1/0.37 4/12P						817	964	1026	1150							1430	1590
		12	1.7	1.4												914	1061	1123	1300								
SEAL-1500	15	8	4.4	3.7	13 4P	40	40/20	18	15	1.5 4P	40	40/20	0 20	1/4	1550	690	969	969	1150	200	715	715	1160	1500	60	1550	
SEALD-1500		10	4.4/	3.7/	13/4.3 4/12P			18/6	15/5	1.5/0.5 4/12P						735	1014	1014	1150							1765	2000
		12	1.5	1.2												801	1080	1080	1300								
SCAL-2000	20	8	3.2	2.7	13 4P	40	40/20	18	15	1.5 4P	40	40/20	0 20	1/4	1700	760	969	969	1150	200	715	715	1160	1500	60	1950	
SCALD-2000		10	3.2/	2.7/	13/4.3 4/12P			18/6	15/5	1.5/0.5 4/12P						806	1014	1014	1150							2080	2230
		12	1.1	0.9												872	1080	1080	1300								



# Tusker® Wire Rope Hoists (SF Series)



## Top Riding

### Specifications & Dimensions:

1. R/F=Reeving/falling numbers
2. Dual speed model under green shadow
3. Traversing pinion 2 ton M3.5x15t. 3-5 ton M3.5x23t
4. Traversing motor standard supply, 50Hz or 60Hz all used 4 pole, or please specify.
5. Traversing motor: 2 ton used planetary reducing gear motor. 3-5 ton used reducing gear motor.

Model	Cap. (Ton)	Lift (m)	Hoisting				Traversing						Approximate Dimension (mm)										App. Weight (Kg)																
			Speed (m/min)		Motor Kw Pole	ED%		Speed (m/min)		Motor Kw Pole	ED%		Wire Rope		H	A	B		C	D	E	G		K	M														
			60Hz	50Hz		Single	Dual	60Hz	50Hz		Single	Dual	o mm	R/F			Single	Dual																					
SFAH-1500	15	8			18.5	40	40/20	18	15	1.5	40	40/20	ø 18	2/4	1600	1007	1069	1187	1150	200	725	1150	60	1475	2155														
		10	6.1	5.1	4P																																2351		
SFAHD-1500		12	6.1/2.0	5.1/1.7	18.5/6.2 4/12P					18/6						15/5	1.5/0.5 4/12P												1093	1155	1278	1400							2528
SFAJ-3000	30	8			18.5	40	40/20	21	17.5	1.5 X 2	40	40/20	ø 18	2/4	1600	1113	1175	1293	1400	300	730	1336	70	1912	2500														
		10	3.0/	2.5/	18.5/6.2 4P					21/7						17.5	1.5/0.5X2 4P												1213	1275	1303	1600							2725
SFAJD-3000		12	1.0	0.8	4/12P											5.8														1313	1375	1498	1800						

